

File number	Piece number



File Number TYS-NST20G2-IDS
 Stage mark FM
 Page 14

NST20-G2 Star Tracker IDS

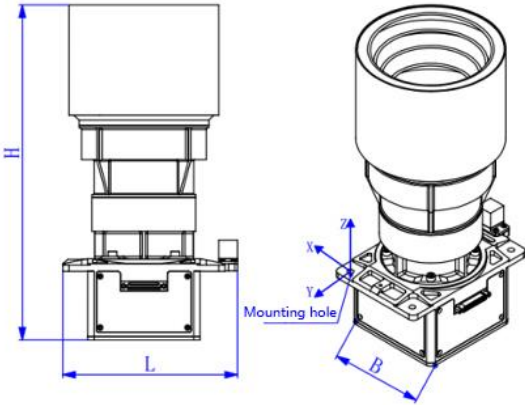
Signature

Edit : FUSHUXIN
 Proofreading : WANG HONGQIANG
 Check : XIAO MINGGUO
 Standard check: CHAIYIN
 Approval : WANGHAIJUN

IDS 1: Performance Index

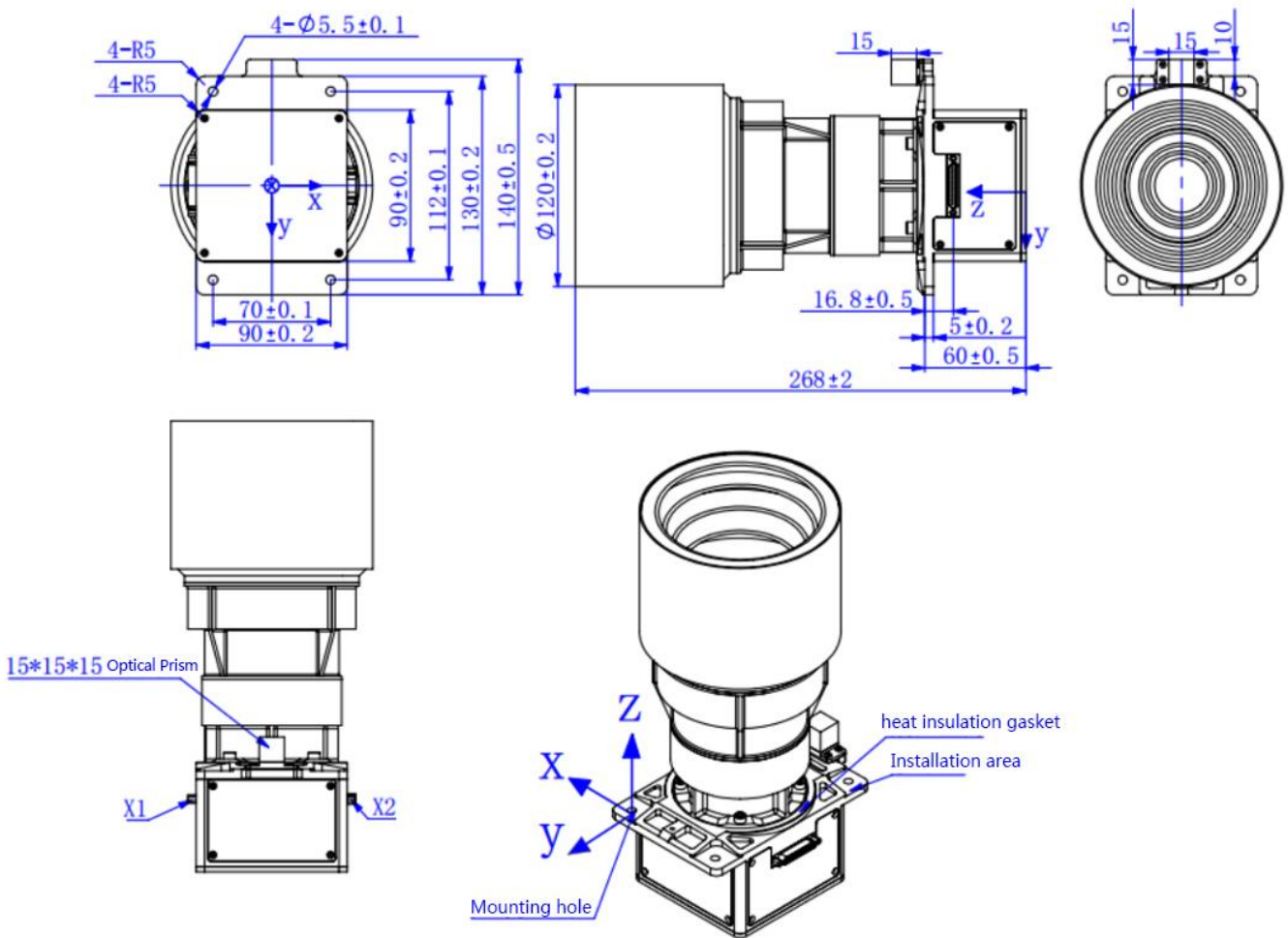
	File number	TYS-NST20G2-IDS			
	Sub-system name				
	Device name	NST20-G2 Star Tracker		Stage mark	
	Device code				FM
Attitude Accuracy	Pointing: 1" (3 σ); Rolling: 6" (3 σ)				
Dynamic Range	@0.1°/s ~ 0.5°/s: 2" (Pointing, 3 σ); 16" (Rolling, 3 σ); @ 0.5°/s ~ 1.2°/s: 5" (Pointing, 3 σ); 30" (Rolling, 3 σ);				
Update Rate	≥ 10 Hz				
Acquisition Rate	Max. ≤ 2 s				
Start-up Time	Better than 5s				
Exclusive Angle	Sun: better than 30°; Earth: better than 20°				
Timing Accuracy	40 μ s @ synchronization pulse (SYNC pulse)				
quaternion Continuity	the scalar of quaternion: non-negative				
Life Time	7years @1000Km Orbit				
Communication Method	422				
Reliability	≥ 0.98 @ the end of 7years running				
Edited (Date) :					
Signed (Date) :	Mark	Changed number	Signature, date		

IDS 2: Mechanical Characteristics

			File number	TYS-NST20G2-IDS					
			Sub-system name						
			Device name	NST20-G2 Star Tracker			Stage mark		
			Device code					FM	
Device weight ^{note)} $1.2 \pm 0.2\text{kg}$			Device number: 1				√		
Weight charact eristics	Envelope size mm	L: 140 ± 0.5	B: 120 ± 0.2	H: 268 ± 2			√		
	Centroid position mm	X: -34 ± 2	Y: -58 ± 2	Z: 25 ± 2			√		
	Inertia of centroid $\text{kg}\cdot\text{mm}^2$	7223 ± 5	7410 ± 5	2243 ± 5			√		
Install ation charact eristics	Installed holes number: 4	Size of installed holes (tolerance) mm: $4 - \Phi 5.5 \pm 0.1$		Material: 2A12-T4		Determination method (√)			
	Installation contacting area mm^2 : 3400	Note:							
	Installation surface flatness: $0.1\text{mm}/100\text{mm} \times 100\text{mm}$								
	Installation surface roughness Ra μm : $3.2\mu\text{m}$								
	Installation surface state: Conductive treatment of installation surface								
<p>Parameter relationship diagram (the relative relationship between the coordinate frames, position of centroid, size of device body, location of installation surface, etc.):</p> <p>Note: the determination method refers to the way to determine the weight of device.</p> <p>Note: The origin of the coordinates is located at the geometric center of the outer surface of the lower shell (see "Instrument diagram");</p>									
									
Edited (Date) :									
Signed (Date) :			Mark	Changed number			Signature, date		

IDS 3: Instrument Diagram

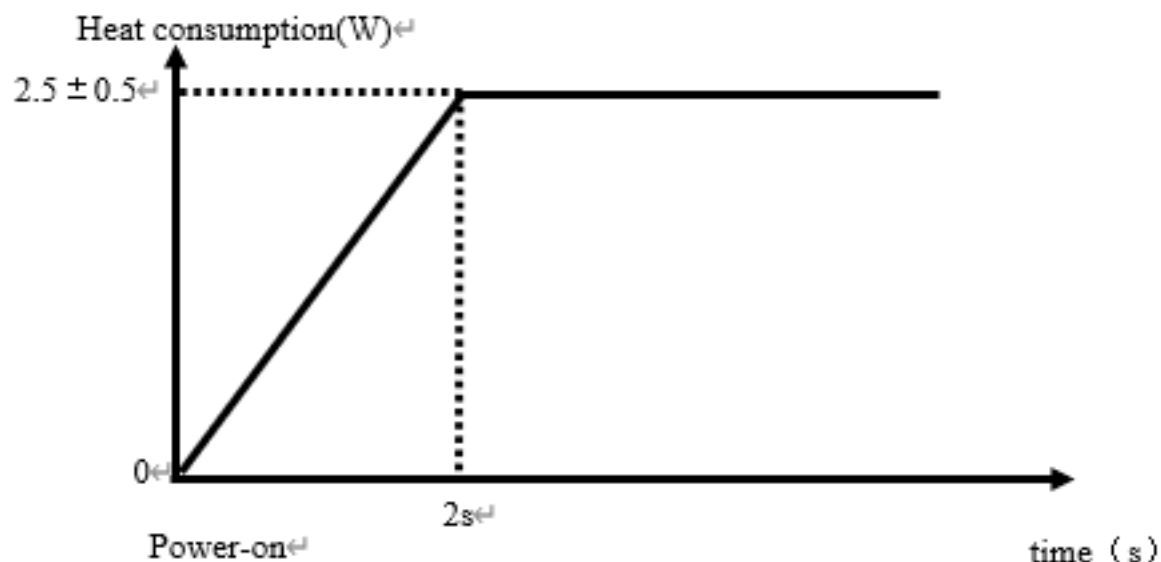
	File number	TYS-NST20G2-IDS		
	Sub-system name			
	Device name	NST20-G2 Star Tracker	Stage mark	
	Device code			FM



Note: This sketch should include body size, mounting size, mounting plane, mounting point (aperture and its tolerances, center distance and its tolerances), position tolerances for guide pins and holes, direction, location, type and number of electrical connectors, the operating hole, the lap (position and length), the registration measurement reference for calibration and testing.

Edited (Date) :			
Signed (Date) :	Mark	Changed number	Signature, date

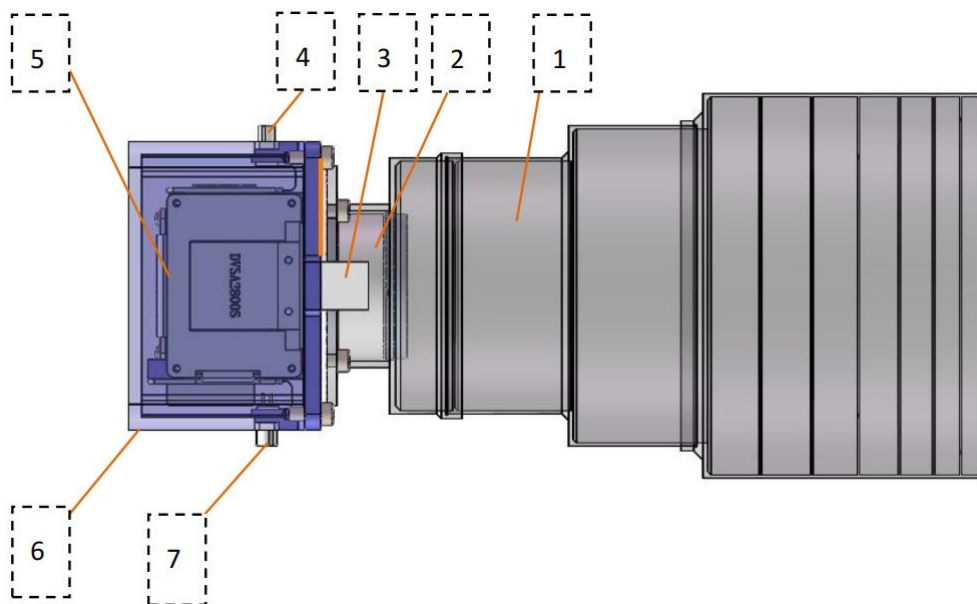
IDS 4: Thermal characteristics

		File number	TYS-NST20G2-IDS		
		Sub-system name			
		Device name	NST20-G2 Star Tracker		Stage mark
		Device code			FM
Surface (except for mounting surface)	Aluminum alloy (2A12-T4)	Note: The inner surface of the baffle is treated with ultra black coating, $\epsilon_H: \geq 0.85$, $\alpha_S: \geq 0.96$			
	Outside surface treatment: Aluminum natural color				
	$\epsilon_H: \geq 0.6$				
Start temperature $^{\circ}\text{C}$: -30~+40		Heat capacity J/K: 1200			
Operating temperature range $^{\circ}\text{C}$: -30~+40		The best operating temperature range $^{\circ}\text{C}$: 20 ± 5			
Storage temperature range $^{\circ}\text{C}$: -30~+40		Operating relative humidity range: $\leq 60\%$			
Operating state heat consumption W: 2.5 ± 0.5 (per device)		Storage relative humidity range: $\leq 70\%$			
Description:					
					
Edited (Date) :					
Signed (Date) :		Mark	Changed number	Signature, date	

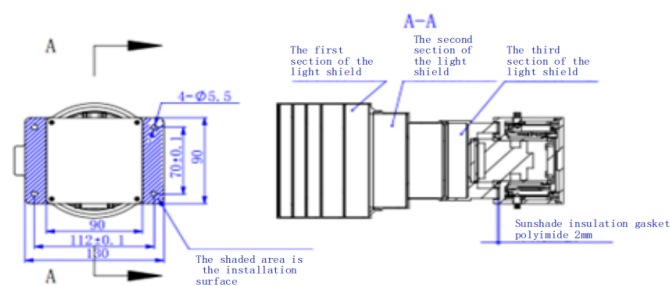
IDS 5: Thermal Diagram

	File number	TYS-NST20G2-IDS		
	Sub-system name			
	Device name	NST20-G2 Star Tracker	Stage mark	
	Device code			FM

Diagram:



Footprint:



- 1—Baffle 2—Lens
- 3—Prism 4—X1 Connector
- 5— Circuit board 6—Circuit box
- 7—X2 Connector

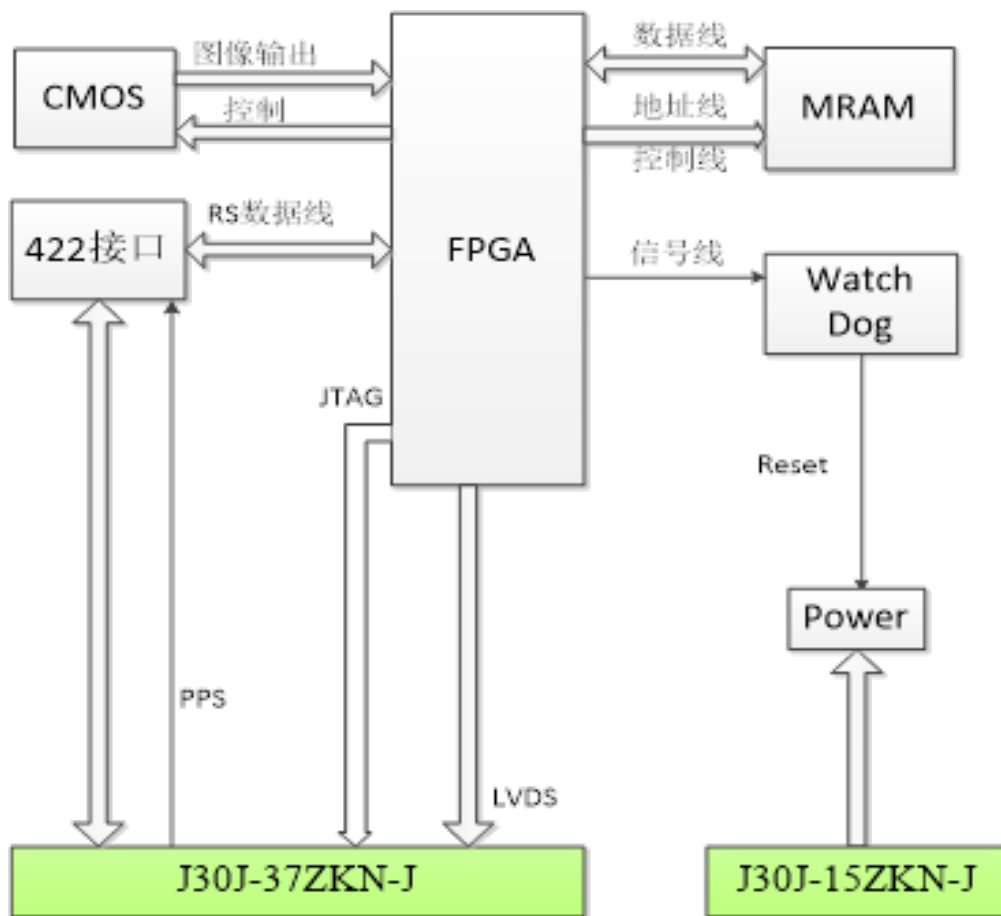
Note: The light shield and star sensor circuit box are installed with 2mm polyimide insulation, and the light shield is connected to the star sensor circuit box casing through screws, meeting the requirements for overlapping between metal components

Edited (Date) :			
Signed (Date) :	Mark	Changed number	Signature, date

IDS6 : Circuit and Interface Schematics

	File number	TYS-NST20G2-IDS		
	Sub-system name			
	Device name	NST20-G2 Star Tracker	Stage mark	
	Device code			FM

Diagram:



Edited (Date) :			
Signed (Date) :	Mark	Changed number	Signature, date

IDS 7: Power

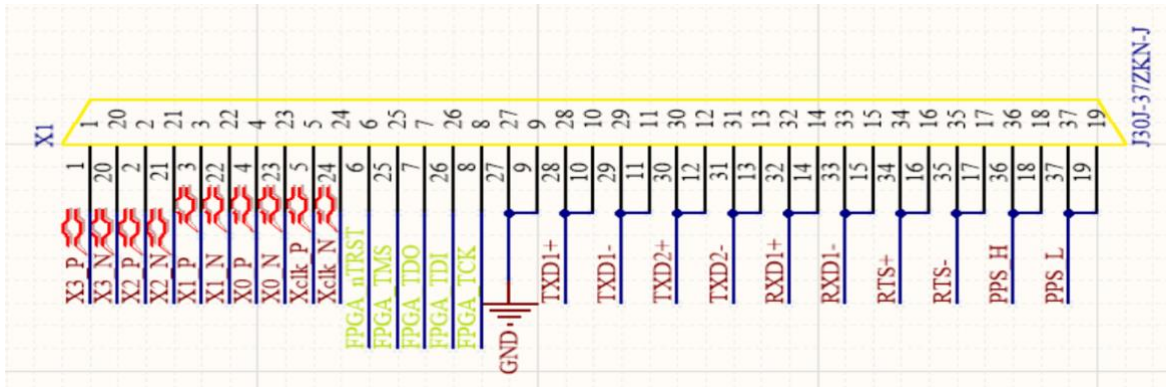
		File number	TYS-NST20G2-IDS			
		Sub-system name				
		Device name	NST20-G2 Star Tracker		Stage mark	
		Device code				FM
Working mode (long term/short term/others)	Long term	Single non-long-term power-up working hours S			Device number	1
Voltage V	Voltage stability %	Ripple voltage mV (P-P)	Device starting current characteristics (peak/duration)		Power W	
5	4.8 ~ 5.2	100	2A/10ms		2.5 ± 0.5	
Edited (Date) :						
Signed (Date) :		Mark	Changed number	Signature, date		

IDS 8: Electrical Connector

		File number		TYS-NST20G2-IDS			
		Sub-system name					
		Device name		NST20-G2 Star Tracker		Stage mark	
		Device code					
Name of the connector	Needle/Hole	Number of the Needle/Hole	Connector	Electrical Connector P/N	Note		
X1	Hole	37	Communication	J30J-37ZKN-J			
X2	Hole	15	Power	J30J-15ZKN-J			
Edited (Date) :							
Signed (Date) :				Mark		Signature, date	

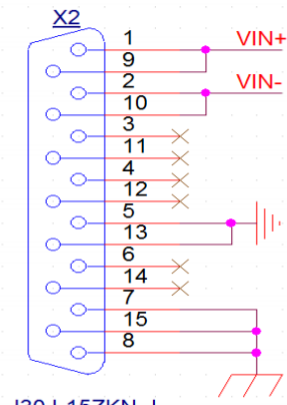
IDS 9: Electrical Connector Contact Assignment (X1)

		File number		TYS-NST20G2-IDS					
		Sub-system name							
		Device name		NST20-G2 Star Tracker		Stage mark			
		Device code					FM		
Name (by function)		X1		Electrical connector P/N		J30J-37ZKN-J		Needle / Hole	Hole
Contact number	Signal (function) description	Voltage/V	Current/A	Polar		Remarks (shielded / twisted)			
9、27	GND	0	0	-					
10、28	TXD1+	RS-422 standard	RS-422 standard	422 Transmit+		10、11twisted 28、29twisted			
11、29	TXD1-			422 Transmit-					
12、30	TXD2+	RS-422 standard	RS-422 standard	422 Transmit+		12、13twisted 30、31twisted			
13、31	TXD2-			422 Transmit-					
14、32	RXD1+	RS-422 standard	RS-422 standard	422 Receive +		14、15twisted 32、33twisted			
15、33	RXD1-			422 Receive -					
16、34	RTS+	RS-422 standard	RS-422 standard	RTS Differential+		16、17twisted 34、35twisted			
17、35	RTS-			RTS Differential+					
18、36	PPS_H	RS-422 standard	RS-422 standard	Seconds pulse difference+		18、19twisted 36、37twisted			
19、37	PPS_L			Seconds pulse difference-					
1	X3_P	LVDS standard	LVDS standard	CameraLink X3+		Internal use, prohibit external use			
20	X3_N			CameraLink X3-					
2	X2_P	LVDS Standard	LVDS Standard	CameraLink X2+					
21	X2_N			CameraLink X2-					
3	X1_P	LVDS Standard	LVDS Standard	CameraLink X1+					
22	X1_N			CameraLink X1-					
4	X0_P	LVDS Standard	LVDS Standard	CameraLink X0+					
23	X0_N			CameraLink X0-					
5	Xclk_P	LVDS Standard	LVDS Standard	CameraLink Xclk+					
24	Xclk_N			CameraLink Xclk-					
6	FPGA_nTRST			JTAG_nTRST					
25	FPGA_TMS			JTAG_TMS					
7	FPGA_TDO			FPGA_TDO					
26	FPGA_TDI			FPGA_TDI					
8	FPGA_TCK			FPGA_TCK					

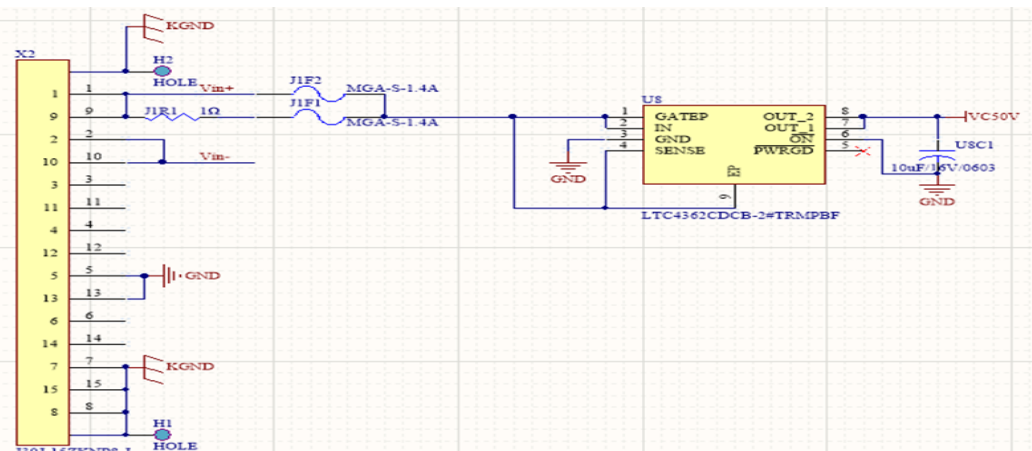


Edited (Date):			
Signed (Date):	Mark	Changed number	Signature, date

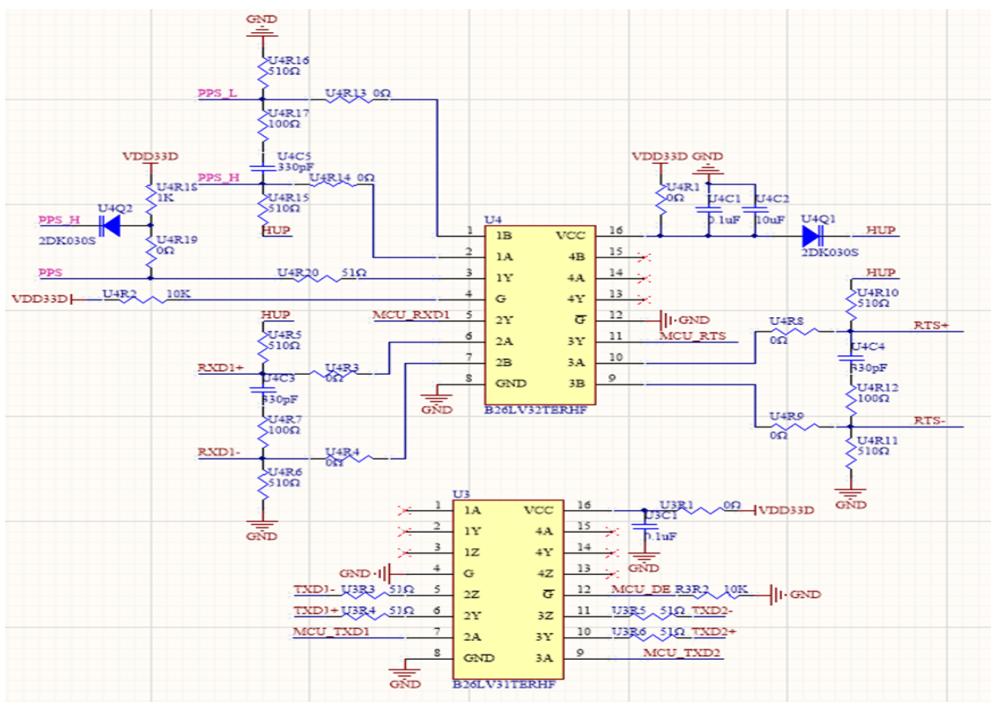
IDS 10: Electrical Connector Contact Assignment (X2)

		File number		TYS-NST20G2-IDS				
		Sub-system name						
		Device name		NST20-G2 Star Tracker		Stage mark		
		Device code				F	M	
Name (by function)		X2	Electrical connector code		J30J-15ZKN-J		Needle / Hole	Hole
Contact number	Signal (function) description	Voltage/V	Current/A	Polar		Remarks (shielded / twisted)		
1、9	VIN+ Power+	4.8~5.2V	0.5A	+		1、2twisted 9、10twisted		
2, 10	VIN- Power-	0	0.14A	-				
5, 13	KGND	0	0.5A	-				
7、8、15	Structure Ground	0	0	-				
3、4、6、11、12、14	None					Internal use		
 <p style="text-align: center;">J30J-15ZKN-J</p>								
Edited (Date):								
Signed (Date):		Mark		Changed number		Signature, date		

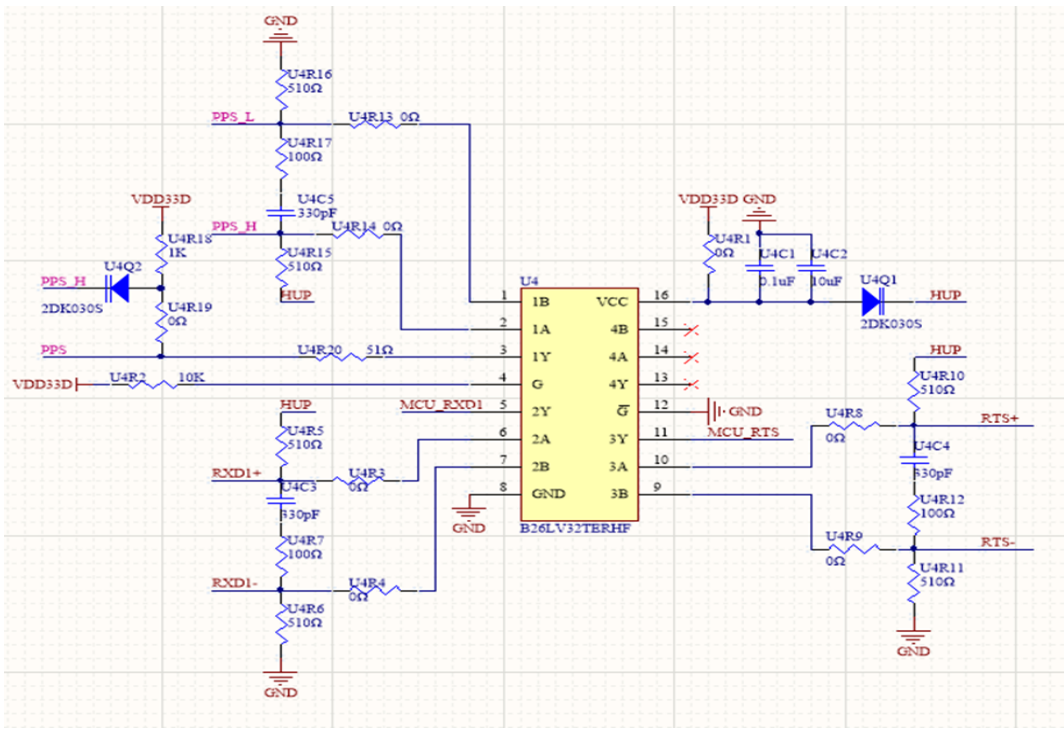
IDS 11: Electrical Interface Features-Power

	File number	TYS-NST20G2-IDS			
	Sub-system name				
	Device name	NST20-G2 Star Tracker	Stage mark		
	Device code			FM	
Interface signal	Power supply				
Signal characteristics	5V power and the ground are two-point two-wire.				
Interface Circuit					
Explanation					
Edited (Date):					
Signed (Date):		Mark	Changed number	Signature, date	

IDS 12: Electrical Interface Features-422

	File number	TYS-NST20G2-IDS		
	Sub-system name			
	Device name	NST20-G2 Star Tracker	Stage mark	
	Device code			FM
Interface signal	Digital signal, RS422. (Sent)			
Signal characteristics	RS422 standard signal, baud rate: 115.2kbps, 1 start bit, 8 data bits, 1 stop bit, odd parity . Connection method: double dot double line			
Interface circuit				
Explanation	RXD1 and TXD1 are telemetry and remote control ports.			
Edited (Date):				
Signed (Date):		Mark	Changed number	Signature, date

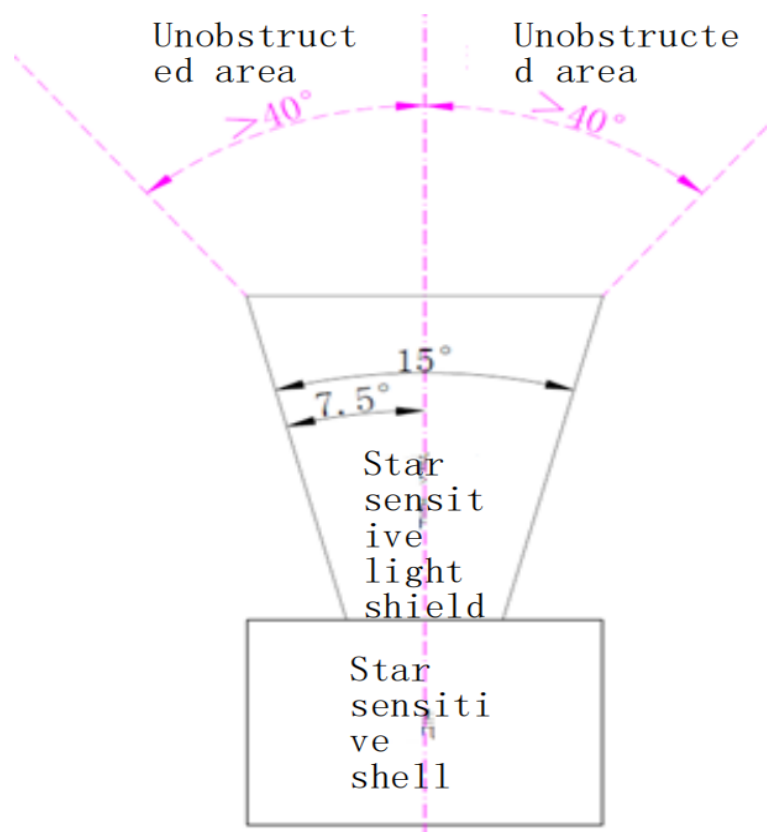
IDS 13: Electrical Interface Features-Second pulse (Different)

	File number	TYS-NST20G2-IDS			
	Sub-system name				
	Device name	NST20-G2 Star Tracker	Stage mark		
	Device code			FM	
Interface signal	Second pulse signal				
Signal characteristics	@ Differential second pulse, the second integer is aligned by the lower edge, and the negative pulse width is 1ms.				
Interface circuit					
Explanation	U4R18、U4R19、U4Q2 are not weld @different PPS				
Edited (Date):					
Signed (Date):		Mark	Changed number	Signature, date	

IDS 14: Installation requirements

	File number	TYS-NST20G2-IDS			
	Sub-system name				
	Device name	NST20-G2 Star Tracker	Stage mark		
	Device code				F M

Be sure: Nothing sheltered in the field of view: the circular cone of 80° around the top of the Baffle.



Edited (Date):			
Signed (Date):	Mark	Changed number	Signature, date